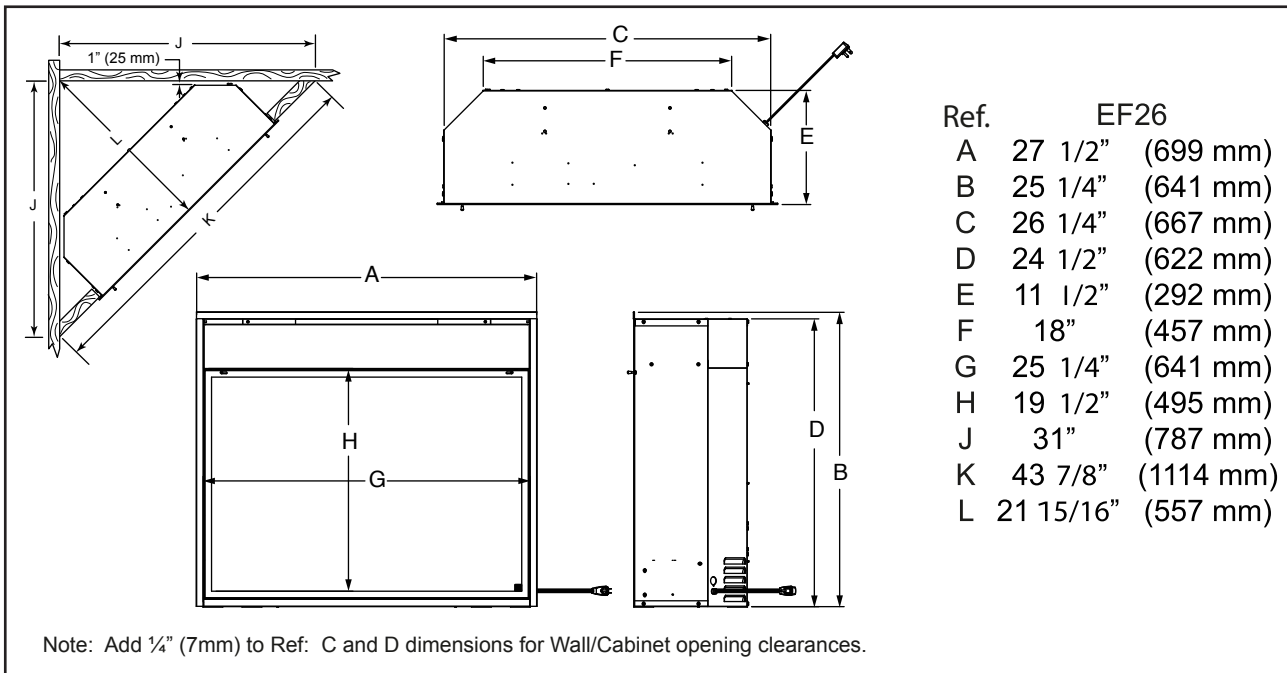


FIREPLACE SPECIFICATIONS

EF26 ELECTRIC FIREPLACES



FIREPLACE FACTS

EF26 ELECTRIC FIREPLACE

26 Inch Electric Fireplace

FEATURES:

Multi function remote control allows control of the flame, overhead lights and the heat. Any controls available on the control panel are also available via remote.

- Self trimming to ensure a perfect fit to cabinets
- Built-in thermostat
- Standard three prong wall plug provided - no professional installation required
- 120 volt power supply
- 1350 watts heater rating; 1500 watts total
- Up to 4,500 BTUs: 400 square-foot heating capacity
- Fully operable glass doors
- Multi-function remote with flame speed control and intelligent memory
- Sandstone BrickWorks refractory lined sides
- Touch pad controls with delayed shut-off feature
- Enhanced log stack, color and texture
- Refined color design and topography of ember bed
- Clean Face Design: No distracting louvers
- On-off display down-lights add to the ambient flame and glowing ember bed

OPTIONAL:

Exclusively designed cabinet mantels are available to complete the Allura-Fire Electric Fireplace. See our full line cabinet brochures.

- Multi-function remote control provides 5-way control:

1. Flame only with no heat
2. Flame, overhead lights with no heat
3. Flame & heat
4. Flame, overhead lights and heat
5. Heater only with no flame and no overhead lights

- Fits: Bromley cabinet and Sterling cabinet

The Fireplace Facts Information Sheets are for quick reference only and are subject to change without notice. Actual fireplace instructions must abide by specifications provided with each product

